

## FCC Declaration Of Conformity

Name: CASPR Group Inc  
Model: CASPR 200  
This device complies with Part 18 of the FCC Rules.

### Responsible Party



CASPR Group Inc  
3100 Monticello Ave #310  
Dallas, TX 75205  
Ph: 214.396.1966

This equipment has been tested and found to comply with the limits for Industrial, Scientific, and Medical Equipment (ISM), pursuant to Part 18 of the FCC Rules. These limits are designed to provide reasonable protection against harmful interference in a residential installation. This equipment generates, uses, and can radiate radio frequency energy, and if not installed and used in accordance with the instructions, may cause harmful interference to radio communications.

However, there is no guarantee that interference will not occur in a particular installation. If this equipment does cause harmful interference to radio or television, which can be determined by turning the equipment off and on, the user is encouraged to try to correct the interference by one or more of the following measures: Reorient or relocate the receiving antenna. Increase the separation between the equipment and receiver. Connect the equipment into an outlet on a circuit different from that to which the receiver is connected. Consult the Distributor or an experienced radio/TV technician for help.

## WARRANTY INFORMATION

### LIMITED 1 YEAR WARRANTY

Customer should not repackage and ship the CASPR 200 unit due to possibility of irreparable damage. For warranty service, please contact your CASPR Distributor for the address of the nearest service center.

### What Is Covered By This Warranty

We warrant the CASPR 200 (excluding filters) to the Customer, subject to the conditions below, against defects in workmanship or material, provided that the products are returned to a service location within the following time periods:

- CASPR 200 within one (1) year of date of purchase.
- NC2i Cell and Lamp within three (3) months from the date of purchase

### Installation And Maintenance Requirements

This warranty is expressly conditioned upon proper installation, operation, cleaning and maintenance, all in accordance with the Owner's Manual. Failure to meet any of these requirements will void this warranty. Servicing of your CASPR 200 by parties other than our authorized representatives and/or using parts other than genuine parts will also void this warranty.

### How To Obtain Warranty Service

Customer must contact their CASPR Distributor and provide proof of purchase within the above time periods.

We will repair or replace and return the product, without charge and within a reasonable period of time, subject to the conditions herein, if its examination shall disclose any part to be defective in workmanship or material. If we, in our discretion, are unable to repair.

### What Is Not Covered By This Warranty

Ordinary wear and tear shall not be considered a defect in workmanship or material. These warranties do not apply to filters nor for loss or damage caused by accident, fire, abuse, misuse, improper installation, leaking, modification, misapplication, or by any repairs other than those provided by our authorized Service Center. This warranty is nontransferable.

### Missing Serial Numbers And Unauthorized Channels

If A Valid Serial Number Is Missing From The Product, The Warranty Will Be Voided. Caspr Products Are Authorized For Sale Through Caspr Distributors Only. Warranties Are Voided If A Product Is Purchased Through Unauthorized Channels. Exclusion Of Other Warranties And Conditions Except As Provided Herein, We Make No

Representation Or Warranty Of Any Kind. All Other Warranties Of Any Kind, Express Or Implied, Are Hereby Expressly Disclaimed, Including Any Implied Warranty Of Merchantability Or Fitness For A Particular Purpose.

### Limitation Of Liability For Special, Incidental, Or Consequential Damages

We Shall Not In Any Case Be Liable For Special, Incidental Or Consequential Damages Arising From Breach Of Expressed Or Implied Warranties, Conditions, Guarantees Or Representations, Breach Of Contract, Negligence Or Any Other Legal Theory. Such Excluded Damages Include, But Are Not Limited To, Loss Of Profits Or Revenue, And Loss Of The Use Of The Products, And Any Loss Caused By Leaks Or Other Water Damage.

### For U.S. Application Only

This Warranty Gives You Specific Legal Rights, And You May Also Have Other Rights Which Vary From State To State. Some States Do Not Allow Limitations On Warranties, Or On Remedies For Breach. In Such States, The Above Limitations May Not Apply To You.

### For Canadian Application Only

Exclusion of Subsequent Owners: Except as otherwise required by applicable legislation, this warranty is not transferable. This warranty gives you specific legal rights and you may also have other rights which vary from province to province. Some provinces and territories do not allow limitations on warranties, or on remedies for breach. In such provinces or territories, the above limitations may not apply to you. If any provision of this warranty or part thereof is held by a court of competent jurisdiction to be invalid, illegal, or unenforceable, the validity, legality and enforceability of the remaining provisions or parts thereof will not in any way be affected or impaired within the jurisdiction of that court. This entire warranty shall continue to be valid, legal and enforceable in any jurisdiction where a similar determination has not been made.

**This warranty is provided by** CASPR Group Inc 3100 Monticello ave, #310 Dallas, TX 75205.

### Service

Every effort is made to ensure customers receive an up-to-date instructions manual on the use of our products; however, from time to time, modifications to our products may without notice make the information contained herein subject to alteration.

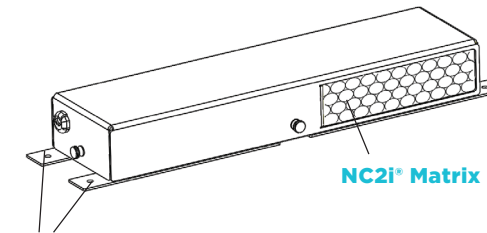


## Principles Of Operation

When the CASPR 200 is in operation, the NC2i® Cell (Advanced Oxidation System) is designed to reduce odors and other contaminants.

## Inspection

- 1 Remove unit from shipping carton.
- 2 Remove all protective materials.
- 3 Check for loose or broken parts due to shipping damage.
- 4 Read this document thoroughly prior to installation.
- 5 Determine placement location for the unit, follow installation instructions in this document.



Fastener Locations


Please record the name and phone of your CASPR Group Distributor:


Name \_\_\_\_\_

Phone \_\_\_\_\_

Please record the serial number of your CASPR 200:

Serial # \_\_\_\_\_

 **WARNING!** - UV Lamp operation. Do not operate unless the unit is completely and correctly assembled. Failure to comply may result in serious eye damage.

 **CAUTION!** - For outlet installation only! Never connect to an extension cord or other power source. Improper installation could result in electrical shock or short.

# CASPR 200

## SPECIFICATIONS

### Features:

- NC2i® Cell Technology
- Power Cord

### Electrical:

- Input: 100 -240VAC, 50/60 Hz, .5 amp

### Size:

- Height: 1.9" (4.81 cm); Width: 3.51" (8.91 cm); Length: 15.15"(38.5 cm)
- Weight: 2.0 pounds (0.9 kg)

### Coverage:

- Up to 200 sq. ft. (20 sq. m)

**Hg - LAMP CONTAINS MERCURY**

Manage in accordance with local laws. See [www.lamprecycle.org](http://www.lamprecycle.org)

## CASPR Installation Guide

### Material Included:

- 1 - CASPR Unit
- 4 - self-tapping metal screws

### Additional Material:

- 6" heavy-duty Velcro/double-sided tape
- 12' x ½ inch flex
- 10 - 1-hole straps/clips for flex
- 2 - straight flex connectors
- 2 - 90 flex connectors
- 1 - Junction box (handy box)
- 1 - Duplex receptacle
- 1 - Duplex receptacle cover
- 3 - 12' #12 AWG wire black, white, and green
- 2 - ½ inch round rubber grommets
- 10 - "Sticky backs" zip tie holders

### Installation:

- 1 Go over mounting locations/options with the customer (Exposed or Concealed)
- 2 The CASPR unit should be located so that it can be accessible for service or replacement.
- 3 Once the location is decided, attach the CASPR unit to the Cab walls or Cab ceiling using (Recommended Velcro, double-sided tape, or screws.)
- 4 Install the outlet on the car top utilizing the existing 110-volt circuitry.
- 5 Once the outlet and unit are installed run power cable, and plug unit into outlet.
- 6 Once the CASPR unit is plugged in, the UV lamp should be illuminated.
- 7 Clean the cab and cartop and turn over for use.

### Tools:

No special tooling required besides basic hand and power tools with assorted drill bits

### Time:

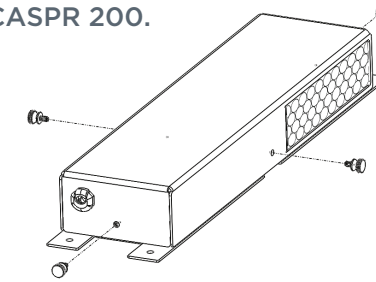
2 hours per unit

## Changing The UV Bulb

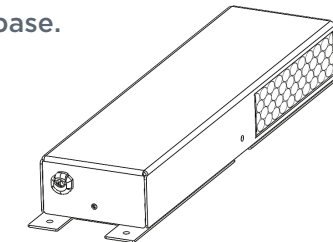


WARNING: Disconnect Power from the CASPR 200 before servicing.

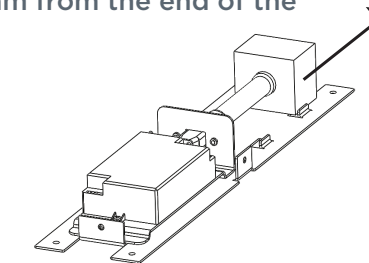
- 1 Remove the four (4) cover screws from the sides of the CASPR 200.



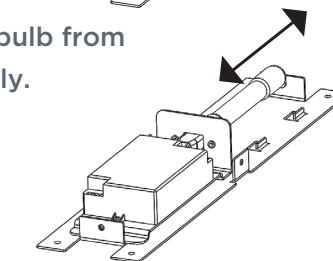
- 2 Remove the cover by lifting away from the base.



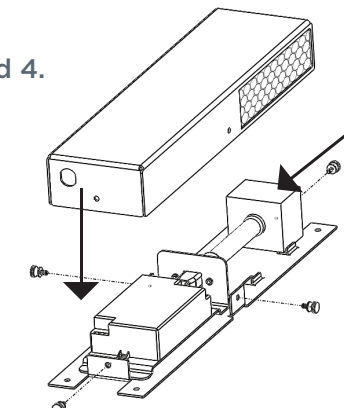
- 3 Remove the foam from the end of the UV bulb.



- 4 Unplug the UV bulb from the power supply.

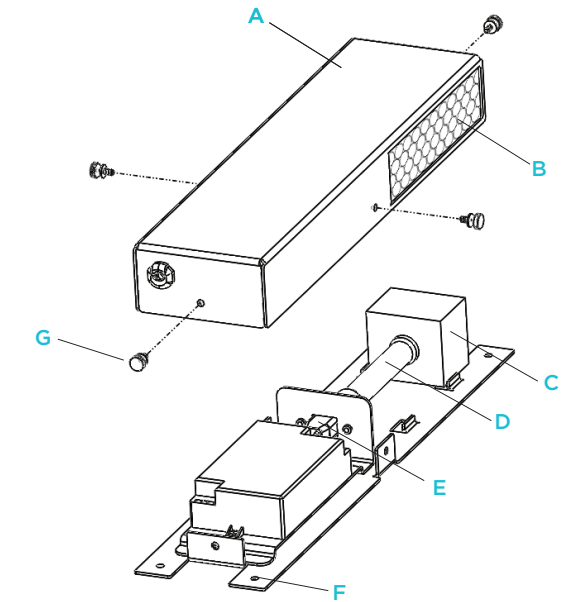


- 5 Replace UV bulb by reversing steps 3 and 4.



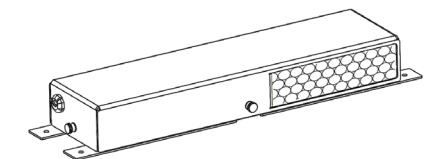
- 6 Return cover and replace screws.

## Parts View



	PART
A	Cover
B	NCC Cell
C	Foam
D	UV Bulb
E	UV Bulb Power Connection
F	Mounting Holes
G	Cover Screws

## Maintenance



- 1 Disconnect the power supply to the CASPR 200.
- 2 Wipe CASPR 200 with a damp cloth.
- 3 Use a vacuum with hose to clean the NCC Cell On either side of the CASPR 200.
- 4 When CASPR 200 is free from moisture, return unit to PTAC and plug power supply back into outlet.