



CASPR BLU TILE OWNER'S MANUAL

CAUTION: Read manual carefully for proper procedures and operation.

Congratulations

on your purchase of a CASPR Group enhanced air and surface disinfection system. This unit is designed to be mounted into any standard ceiling tile. Please read and follow all safety warnings and service procedures outlined in this manual. Use only genuine CASPR Group replacement parts available from your CASPR Group Distributor.

If you have any questions concerning this or any CASPR Group product, contact your CASPR Group Distributor.

Principles of Operation

CASPR BLU Tile (TILE) uses Natural Catalytic Conversion (NCC) to generate safe, low levels of hydrogen peroxide. NCC technology replicates natural purifying processes by using a high intensity light to activate a proprietary metal catalytic coating, converting water vapor into hydrogen peroxide. Hydrogen peroxide acts as an oxidizer inactivating surface and air pathogens. It can compromise cellular integrity by disrupting cell walls, or internal molecular structures, rendering contaminants harmless.

To learn more about the CASPR BLU Tile and other CASPR Group products and technologies, please visit our website at www.CASPRgroup.com.

Table of Contents

Safety and Warnings.....	3
Specifications.....	4
Install the Cell Assembly	5
TILE Installation	6
Service and Maintenance	6
Replacement parts (purchased separately):	7
Cell Disposal	7
Warranty Information.....	8

IMPORTANT SAFETY INSTRUCTIONS




When using an electrical appliance, basic precautions should always be taken.

READ ALL INSTRUCTIONS BEFORE USING THIS PRODUCT

WARNING!

To reduce the risk of fire, electrical shock, or injury:

- Use only as described in this manual.
- Do not attempt to repair or adjust any of the electrical or mechanical functions. Contact Customer Service for service information.
- Do not use outdoors or on wet surfaces.
- Do not allow to be used as a toy. Do not allow children around the unit.
- Do not handle appliance with wet hands.
- Do not allow foreign objects to enter the ventilation openings.
- Keep hair, clothing, fingers, and all parts of body away from openings.
- **Do not touch NCC bulb with bare hands.**

 	<p style="text-align: center;"> WARNING</p> <p>WARNING! - UV light in operation. Disconnect unit from power supply before servicing. Failure to follow warnings may result in severe eye damage.</p>
---	---

Specifications

Electrical:

110-240 VAC 50/60 Hz 0.5A
277 VAC 50/60 Hz 0.5A (North America only)

Mechanical:

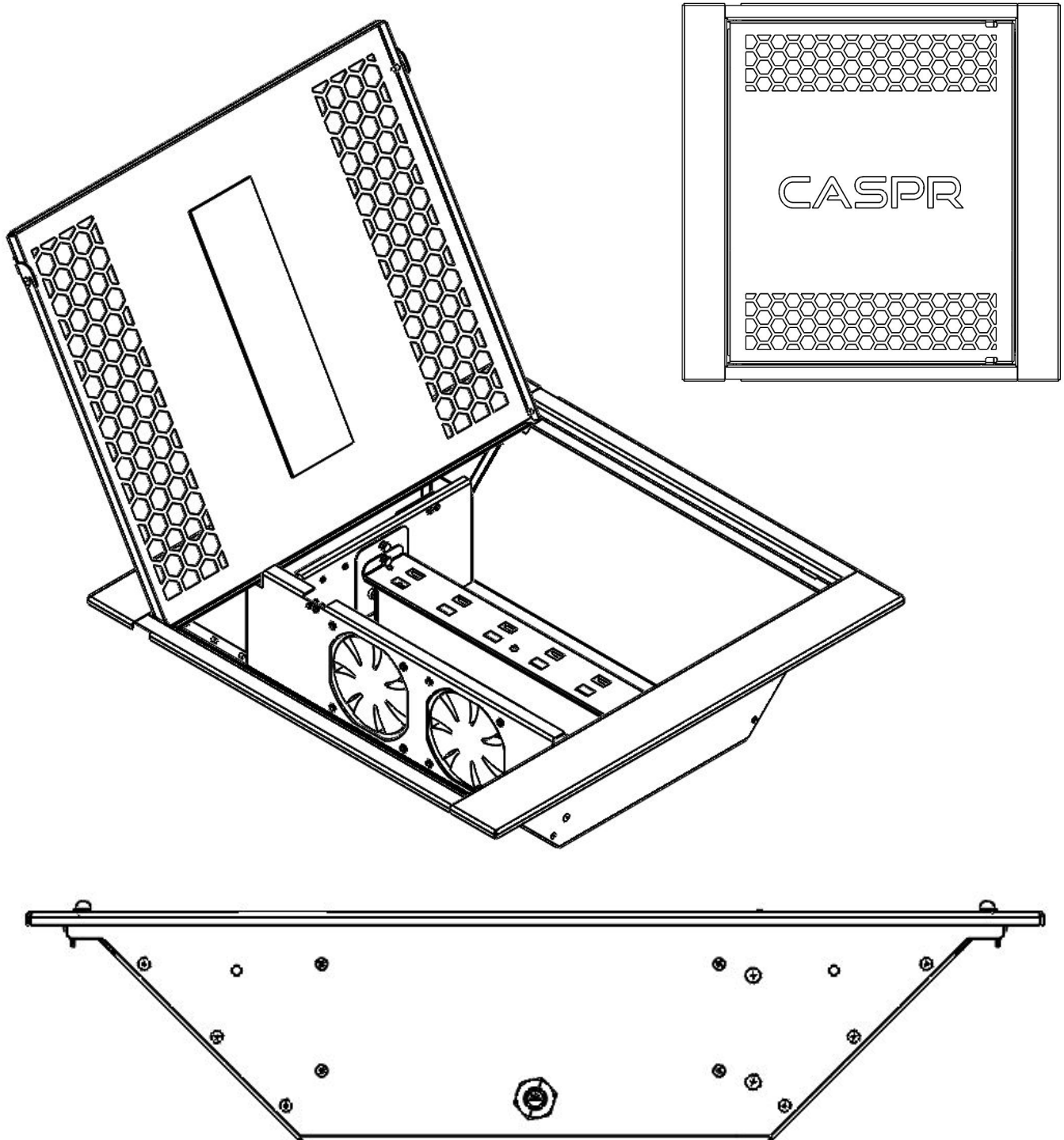
158 CFM

Dimensions:

23.9 in. x 23.9 in. x 5.4 in.
60.71 cm x 60.71 cm x 13.72 cm

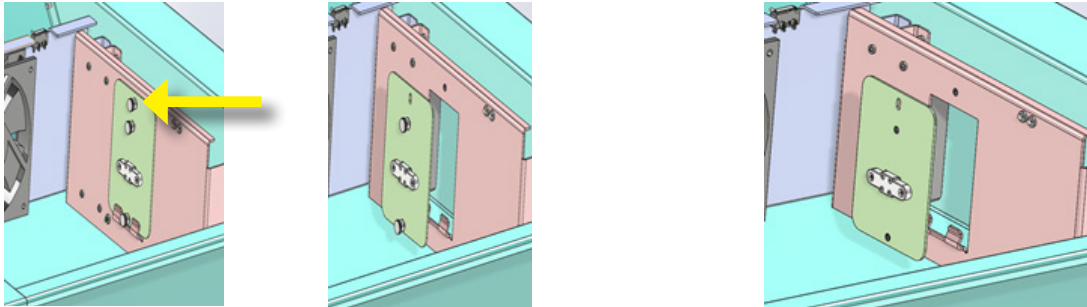
Weight:

11.82 lbs
5.36 kg



Install the Cell Assembly

1. Remove the security screw and open the grill of the TILE unit.



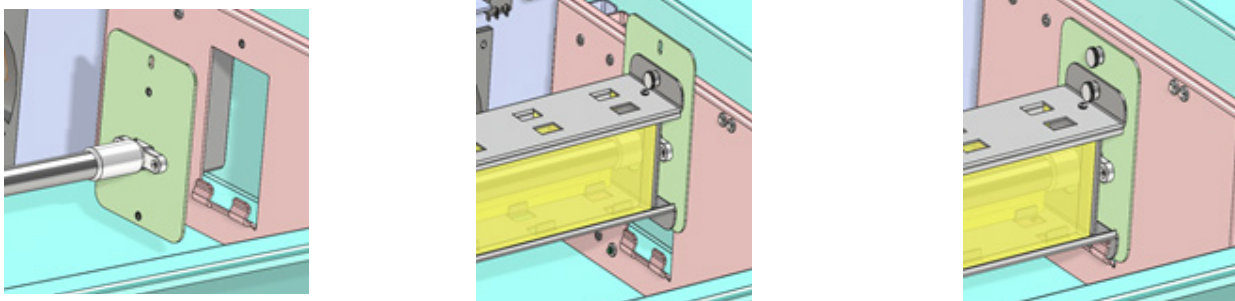
2. Remove the Bracket Assembly by unscrewing the top thumb screw.

3. Remove the 2 additional screws from the Bracket Assembly.

4. Remove the Cell Assembly from the packaging box.

5. Carefully remove bulb from cell housing.

DO NOT touch the bulb with bare hands.



6. Connect Bulb to socket in the Bracket Assembly.

7. Attach Cell Housing to bracket with previously removed thumb screws (2).

8. Install Assembly on TILE unit and secure with top thumb screw.

9. Close grill on TILE and reinstall security screw.

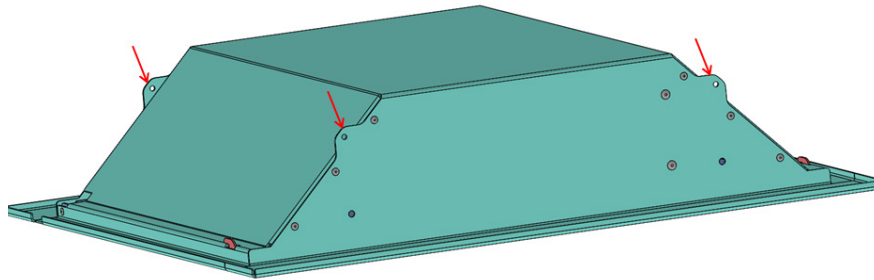
TILE Installation

The TILE is designed to be mounted in place of a standard 2 ft x 2 ft ceiling tile. Installation is only to be performed by a Licensed Electrician or HVAC Installer. A power switch turns the unit ON and OFF.

1. Remove the ceiling tile where the CASPR unit will be placed.

Be mindful not to place by a return duct.

2. Place the CASPR BLU Tile unit into the open ceiling square.
3. Attach the CASPR BLU Tile unit to structural support beams in the crawlspace above the ceiling square using galvanized flexible gauge vinyl coated wire rope and a wire rope clip. This can be done using the safety attachments on the backside of the CASPR Blu Tile unit. Enough tension should be placed on the wire rope to minimize load on the panel support beams.



4. Hardwire CASPR BLU Tile unit into an available power source using pigtail leads and conduit connections. This is to be performed by a licensed Electrician or HVAC Installer.

Service and Maintenance

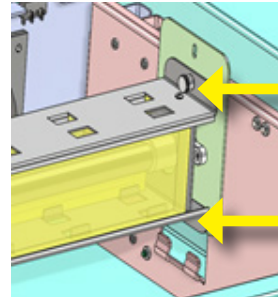
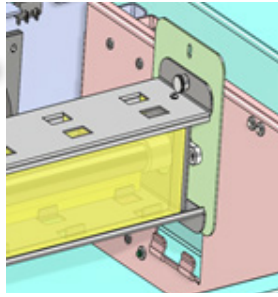
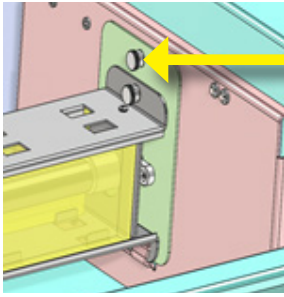
Your CASPR BLU Tile unit requires replacement of the NCC cells and bulbs every 18-24 months, even if the bulb appears to be operating normally.

Service should only be performed by a qualified HVAC technician. Make sure there is no power going to the unit prior to handling.

It is recommended maintenance to vacuum the vent openings and clean the under side of the unit if any dust build-up has accumulated.

A face mask should be worn to prevent inhalation of any particles released into the air during the process. Eye protection may be necessary when cleaning the unit.

1. Remove the security screw and open the grill of the TILE unit.



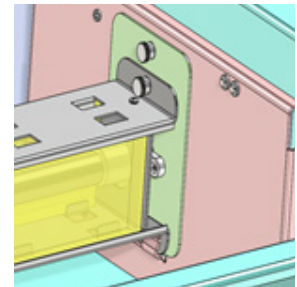
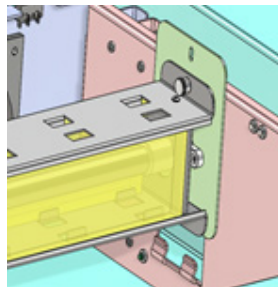
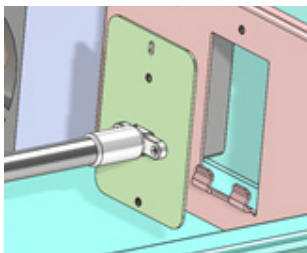
2. Remove the Bracket Assembly by unscrewing the top thumb screw.

3. Remove the 2 additional screws from the Bracket Assembly.

4. Remove the Cell Assembly from the packaging box.

5. Carefully remove bulb from cell housing.

DO NOT touch the bulb with bare hands.



6. Connect Bulb to socket in the Bracket Assembly.

7. Attach Cell Housing to bracket with previously removed thumb screws (2).

8. Install Assembly on TILE unit and secure with top thumb screw.

9. Close grill on TILE and reinstall security screw.

Replacement parts (purchased separately):

NCC Cell (Ozone-Free) **CELL-VV-14-001-AP**

Cell Disposal

Do NOT throw a used NCC Cell in the garbage. The special germicidal UVC bulb used in the unit contains a very small amount of mercury. Dispose of the used NCC Cell and UV Lamp at your local recycling center or by local regulations. To learn more, visit www.lamprecycle.org.

Warranty Information

NDS Sales LLC d/b/a CASPR Technologies (as “Seller”) offers the following Express Limited Warranty to a buying customer (a “Buyer”) of a CASPR product (the “Product”):

Seller warrants to Buyer that (a) the Product will be free from defects caused by faulty workmanship or materials for three years from date of purchase when operated under normal conditions and in accordance with Seller’s recommended use (the “Product Warranty Period),” and that (b) the Components (comprised of a bulb and a cell) will be free from defects caused by faulty workmanship or materials for one year from date of purchase when operated under normal conditions and in accordance with Seller’s recommended use (the “Components Warranty Period).”

SELLER EXPRESSLY DISCLAIMS ALL OTHER WARRANTIES, WHETHER EXPRESS OR IMPLIED.

Should Buyer discover a covered defect within the Product Warranty Period or the Components Warranty Period, Seller will repair or replace (at Seller’s cost) the Product and/or the Components. Buyer’s sole and exclusive remedy for Product or Components defects is limited to repair or replacement.

To confirm coverage or to schedule repair or replacement under this Express Limited Warranty, Buyer should contact Seller at www.casprtech.com/warranty and provide the serial number located on the Product and proof of purchase. Absence of a serial number or proof of purchase may void the Express Limited Warranty.

This Express Limited Warranty does not extend to or cover Product damage caused by accident, fire, flooding, exposure to temperature extremes, abuse, misuse, improper or unauthorized installation, modification, misapplication, or repairs performed by persons other than Seller. Repairs performed by persons other than Seller or Seller’s authorized representative will void the Express Limited Warranty.

This Express Limited Warranty does not extend to or cover incidental or consequential damages incurred by Buyer arising from, related to, or in connection with, any Product or Components defects, including but not limited to downtime costs, loss of use, loss of revenue, and/or loss of profits.

SALES THROUGH DISTRIBUTOR OR RESELLER

To the extent the Product is purchased by Buyer from an authorized CASPR distributor or reseller, this Express Limited Warranty passes through to Buyer.

FOR U.S. APPLICATION ONLY

Product warranties are governed by state and federal laws and may vary from state to state. This Express Limited Warranty provides Buyer with specific assurances regarding repair or replacement of the Product. Other warranties are expressly negated.

FOR CANADIAN APPLICATION ONLY

Canadian, provincial, and territorial sales laws may govern implied warranties. This Express Limited Warranty provides Buyer with specific assurances regarding repair or replacement of the Product. Other warranties are expressly negated. Should there be a difference between this Express Limited Warranty and Canadian law regarding implied warranties, Canadian law will control.



CASPRTM
TECHNOLOGIES

WWW.CASPRTECH.COM

1343 W. CAUSEWAY APPROACH
MANDEVILLE, LA 70471
(844) 717-8819