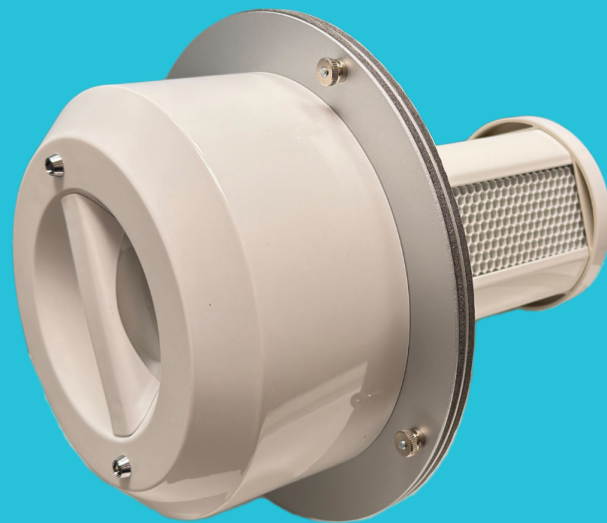




CASPTM
Home **PRO**
ELITE



OWNER'S MANUAL

CAUTION: Read manual carefully for proper procedures and operation.

Congratulations

on your purchase of a CASPR Technologies enhanced air and surface disinfection system. This unit is designed to be mounted into a facility HVAC system. Please read and follow all safety warnings and service procedures outlined in this manual. Use only genuine CASPR Technologies replacement parts available from your CASPR Technologies Distributor.

If you have any questions concerning this or any CASPR Technologies product, contact your CASPR Technologies Distributor.

To learn more about the CASPR Medik and other CASPR Technologies products and technologies, please visit our website at www.casprtech.com.

Table of Contents

Warnings	3
Specifications & Contents.....	4
Setup	5
Installation.....	6-7
Maintenance & Replacement parts (purchased separately):.....	8
Replacing Cell	9
Warranty Information.....	10

IMPORTANT SAFETY INSTRUCTIONS



When using an electrical appliance, basic precautions should always be taken.

READ ALL INSTRUCTIONS BEFORE USING THIS PRODUCT

WARNING!

To reduce the risk of fire, electrical shock, or injury:

- Use only as described in this manual.
- Never operate unit near a heat source, open flame or flammable/combustible fluids.
- Do not operate unit unless all parts (including Cell, & bulb) are properly installed.
- Directly viewing the lamp for an extended period may result in eye damage.
- Do not allow foreign objects to enter the ventilation openings.
- Unit should be powered OFF and Power Cord should be disconnected when Cleaning/Disassembling/ Reassembling/ Servicing.
- **Do not touch NC₂I bulb with bare hands.**

	<p style="text-align: center;"> WARNING</p> <p>WARNING! - UV light in operation. Disconnect unit from power supply before servicing. Failure to follow warnings may result in severe eye damage.</p>
---	--

Specifications

ELECTRICAL: 120-277 VAC

Home Pro Elite - 35W (start-up), 28.3W (Operation)

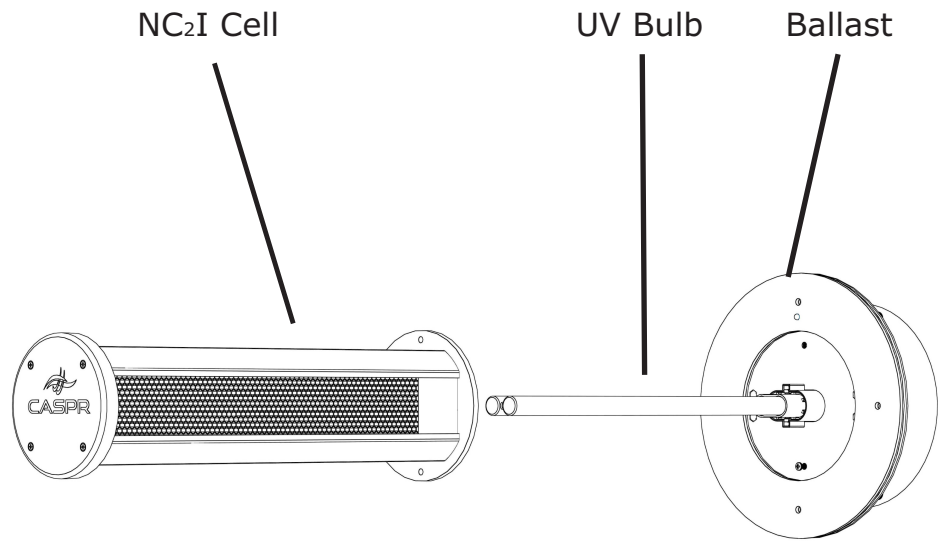
SIZE: (HxWxD)

Home Pro Elite 9" x 9" x 10.5"

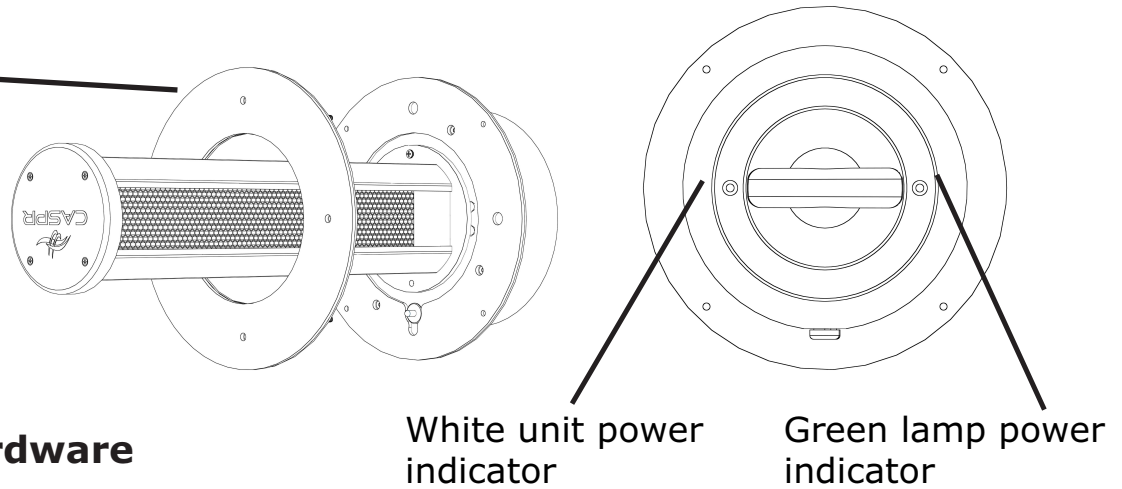
Weight

Home Pro Elite : 3.5 lbs.

Unit Contents



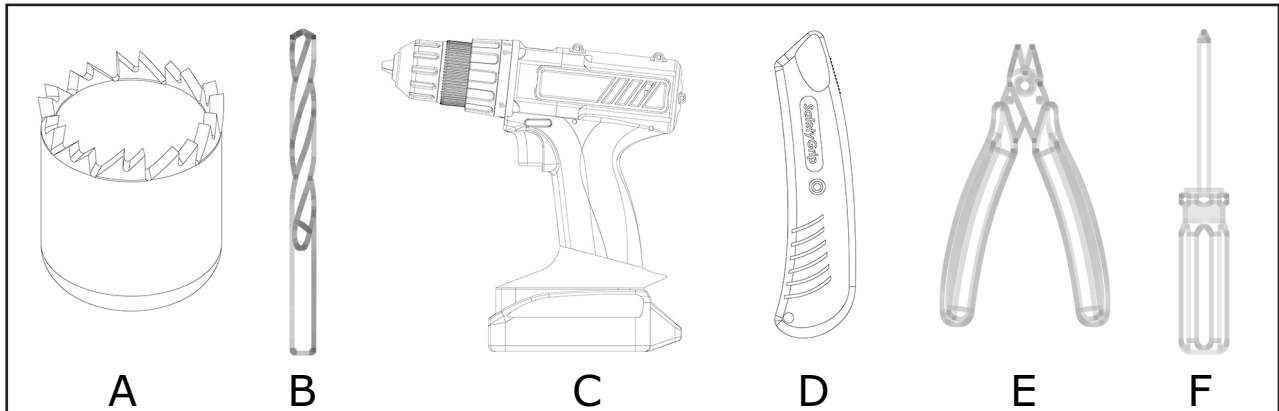
Adhesive Gasket



Installation Hardware

- (4) Self-tapping Screws
- (2) Cell Mounting Screws
- (4) Thumb Nuts

Recommended Installation Tools



A - 4.5" Hole Saw Bit

D - Utility Knife

B - 3/8" Drill Bit

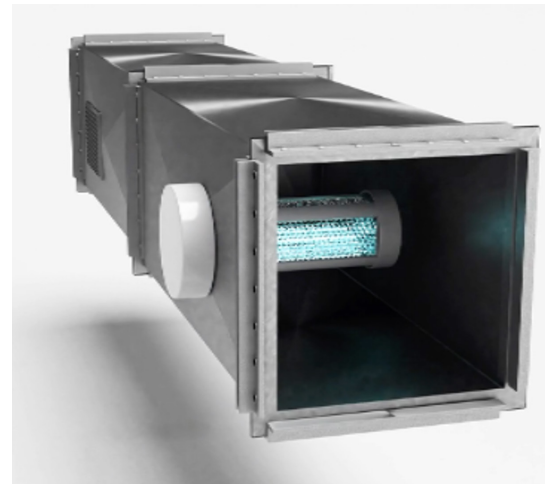
E - Tin Snips

C - Drill/Power Driver

F - Phillips Head Screwdriver

Installation Requirement

1. Unit may be installed up or down stream of the air handler in the HVAC system as long as it is behind the filter.
2. The ductwork around the installation area should be cleaned and dry to insure proper adhesion of the gasket materials and any tape used.
3. One circular opening, measuring approximately 4.5", will need to be cut into the existing duct work to install the unit properly.



Electrical Requirement

To use the 120V plug, be sure to locate the unit within 9 ft. of a standard 120V grounded outlet. Long term use on an extension cord is not recommended due to safety considerations

Hardwiring Requirements

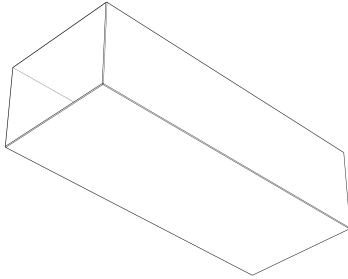
Permanent wiring of the unit into your HVAC system should be done by a licensed HVAC Installer or Electrical Contractor only.

For 110-277V:

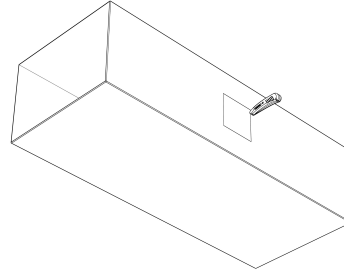
Black = L1, White = Neutral, Green - Ground

Installation

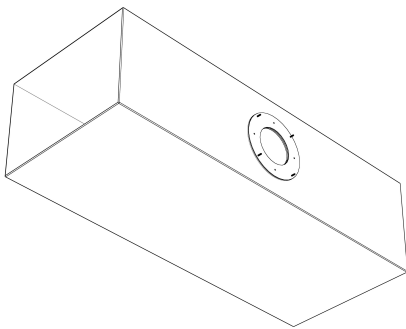
1. Locate a suitable area of the duct to install the CASPR Medik.



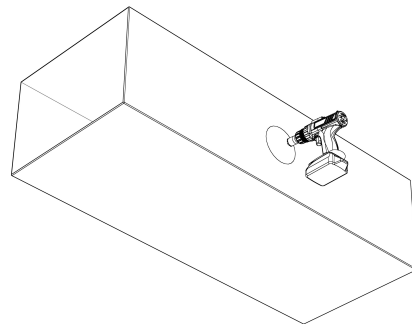
2. If necessary, cut away insulation for your plate to adhere to the duct.



3. Using the Adhesive Gasket Plate, trace the inner hole location onto the duct.

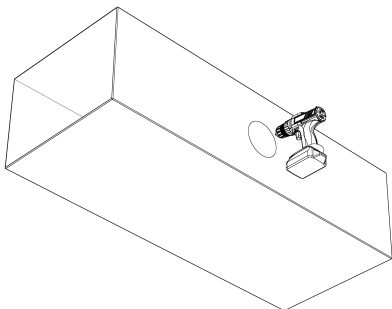


4 Use the 4.5" Hole Saw and Drill to cut out the marked hole.

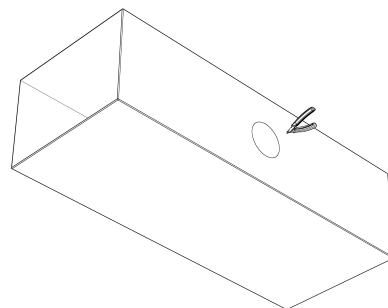


Alternative Installation

4. Drill holes around the outside edges of the previously marked hole but inside the outer holes of the Adhesive Gasket Plate.

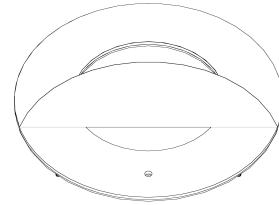


5. Use the Tin Snips to cut out the space around the marked hole.

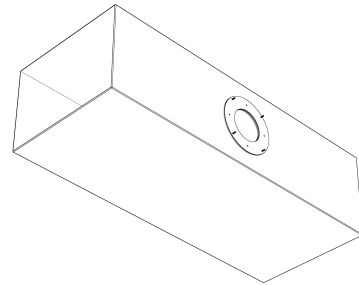


Installation

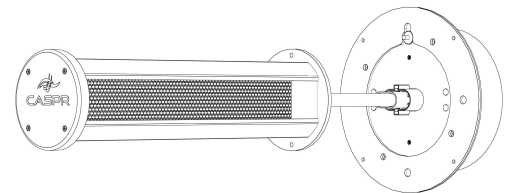
6. Remove the plastic backing on your Adhesive Gasket Plate.



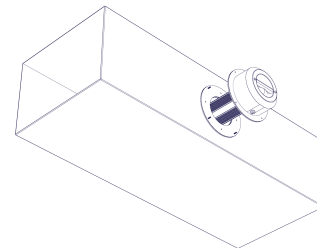
7. Press the Adhesive Gasket Plate onto the duct. Secure with the (4) Self-Tapping Screws.



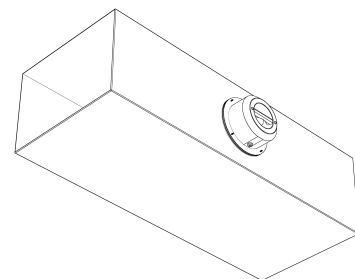
8. Connect the Cell to the Ballast using the two (2) cell mounting screws.



9. Place the unit and cell through the opening and align the four PEM studs. Locking in unit with 4 Thumb Nuts



10. Plug the Unit Power Cable Into the receptacle or have a Licensed Electrician or HVAC Installer hardwire the unit directly into the HVAC system



Maintenance / UV Lamp Indicator

Your CASPR HomePro Elite requires no periodic maintenance beyond normal replacement cell and bulb at 18 to 24 months.

Note: Proper Operation

The unit operates properly when the white LED light indicates power, and the green LED light confirms that the lamp is functioning.

Disposal Of The NC2I Cell

Please do not throw the used NC₂I Cells in the garbage.

The special germicidal UV bulb used in the CASPR HomePro Elite contains some insignificant amount of mercury. Contact your local Waste Management Center for a proper disposal procedure.

Replacement Parts

Bulbs:

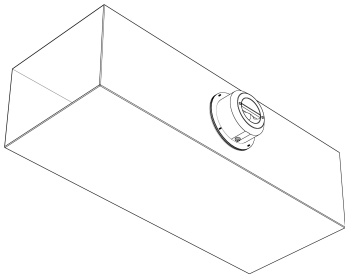
6" Bulb Part Number: CP-UVCCP-144-4HHOSPL02 1X7315

Cells(which includes 2 bulbs):

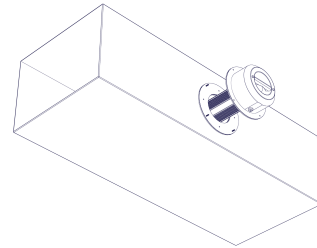
6" NC₂I Cell Part Number: CASPR Medik 6 Cell 1X7313-2B

Changing the NC₂I Cell

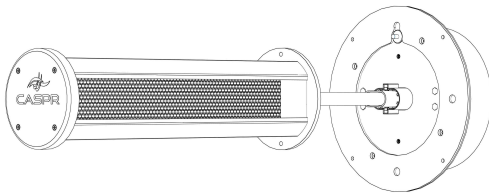
1. Remove the Unit Power Cable from the receptacle or ensure the unit isn't powered.



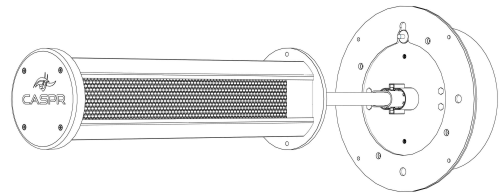
2. Remove the (4) Thumb Nuts and pull the unit away from the mounting plate. Pull the unit from the duct.



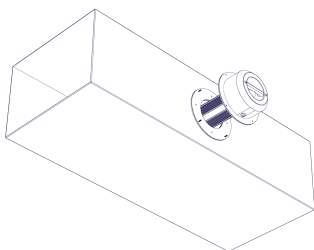
3. Remove the (2) Screws holding the NC₂I Cell in place and remove the NC₂I Cell from the Unit Cover.



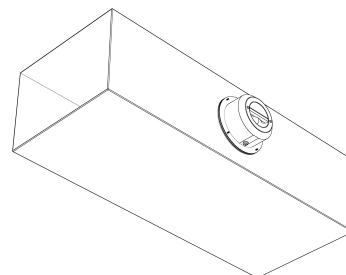
4. Exchange the Old NC₂I Cell with the new NC₂I Cell and replace the (2) Screws that hold it in place.



5. Replace the unit in the duct and secure the unit with (4) Thumb Nuts



6. Place the Unit Power Cable back into the receptacle or repower your unit.



Warranty Information

NDS Sales LLC d/b/a CASPR Technologies (as "Seller") offers the following Express Limited Warranty to a buying customer (a "Buyer") of a CASPR product (the "Product"):

Seller warrants to Buyer that (a) the Product will be free from defects caused by faulty workmanship or materials for five years from date of purchase when operated under normal conditions and in accordance with Seller's recommended use (the "Product Warranty Period)," and that (b) the Components (comprised of a bulb and a cell) will be free from defects caused by faulty workmanship or materials for one year from date of purchase when operated under normal conditions and in accordance with Seller's recommended use (the "Components Warranty Period)."

SELLER EXPRESSLY DISCLAIMS ALL OTHER WARRANTIES, WHETHER EXPRESS OR IMPLIED.

Should Buyer discover a covered defect within the Product Warranty Period or the Components Warranty Period, Seller will repair or replace (at Seller's cost) the Product and/or the Components. Buyer's sole and exclusive remedy for Product or Components defects is limited to repair or replacement.

To confirm coverage or to schedule repair or replacement under this Express Limited Warranty, Buyer should contact Seller at www.casprtech.com/warranty and provide the serial number located on the Product and proof of purchase. Absence of a serial number or proof of purchase may void the Express Limited Warranty.

This Express Limited Warranty does not extend to or cover Product damage caused by accident, fire, flooding, exposure to temperature extremes, abuse, misuse, improper or unauthorized installation, modification, misapplication, or repairs performed by persons other than Seller. Repairs performed by persons other than Seller or Seller's authorized representative will void the Express Limited Warranty.

This Express Limited Warranty does not extend to or cover incidental or consequential damages incurred by Buyer arising from, related to, or in connection with, any Product or Components defects, including but not limited to downtime costs, loss of use, loss of revenue, and/or loss of profits.

SALES THROUGH DISTRIBUTOR OR RESELLER

To the extent the Product is purchased by Buyer from an authorized CASPR distributor or reseller, this Express Limited Warranty passes through to Buyer.

FOR U.S. APPLICATION ONLY

Product warranties are governed by state and federal laws and may vary from state to state. This Express Limited Warranty provides

Buyer with specific assurances regarding repair or replacement of the Product. Other warranties are expressly negated.

FOR CANADIAN APPLICATION ONLY

Canadian, provincial, and territorial sales laws may govern implied warranties. This Express Limited Warranty provides Buyer with

specific assurances regarding repair or replacement of the Product. Other warranties are expressly negated. Should there be a difference

between this Express Limited Warranty and Canadian law regarding implied warranties, Canadian law will control.



CASPR[™]
TECHNOLOGIES

WWW.CASPRTECH.COM

620 LOTUS DRIVE N
MANDEVILLE, LA 70471
(844) 717-8819